

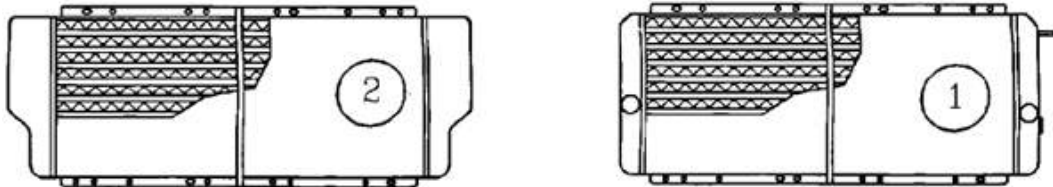
AIR AIR EXCHANGER V6 TURBO



Very high airflow (suppress the counter-pressure) to upgrade engines from 200 to 300 HP
 It makes it possible to improve the original turbo pressure or to replace it by a more powerful turbo
 and also to prepare the injection housing.

| DESCRIPTION | REFERENCE | €uro HT |
|-------------------|-----------|----------|
| Air-air exchanger | MP0940 | 803.61 € |

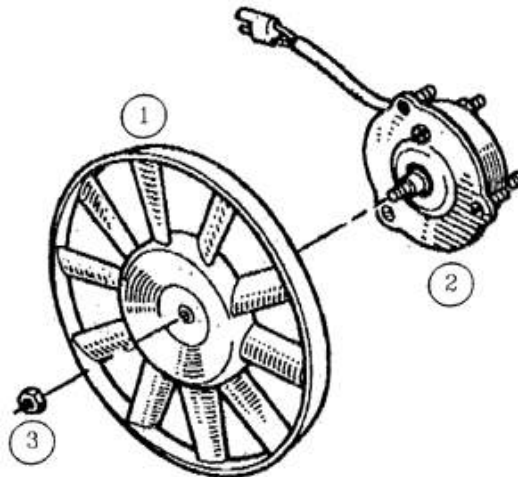
RADIATORS



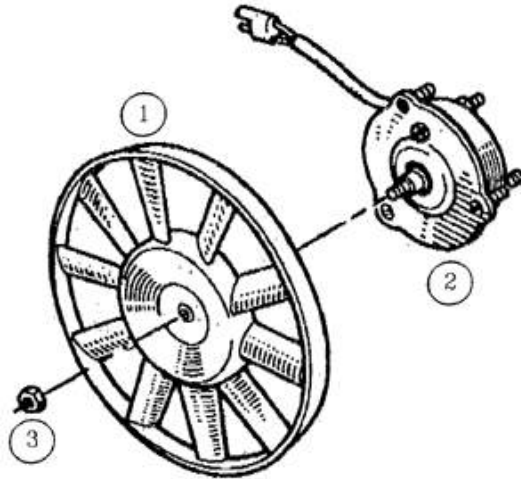
| TYPE | DESCRIPTION | REFERENCE | €uro HT |
|-----------------------------|------------------------------------|-----------|----------|
| Europa cup - D500/D501/D502 | Big radiator (improvement cooling) | MP0930 | 533.05 € |
| Alpine A610 | ALPINE A 610 RADIATOR | MP0899 | 579.00 € |

FAN

D500 - D501 sans climatisation



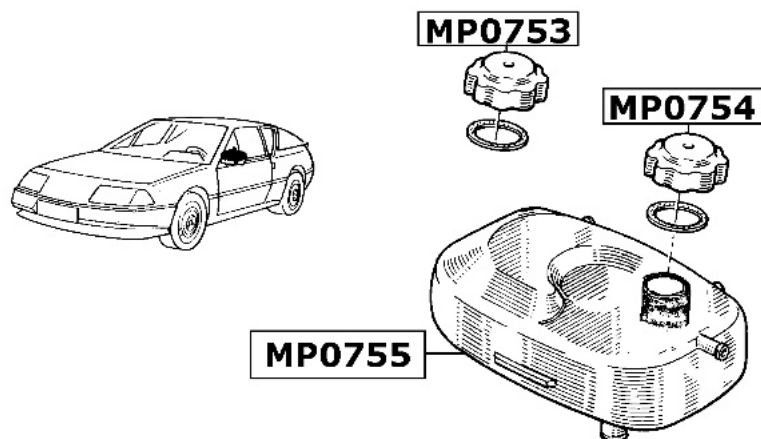
| DESCRIPTION | REFERENCE | €uro HT |
|-----------------------|-----------|---------|
| rep (1) : Fan blade | MP0950 | 0 € |
| rep (2) : Fan motor | MP0951 | 0.00 € |
| rep (3) : Fan nut | MP0952 | 0 € |

D500 - D501 avec climatisation


| DESCRIPTION | REFERENCE | €uro HT |
|-----------------------|-----------|----------|
| rep (1) : Fan blade | MP0953 | 17.57 € |
| rep (2) : Fan motor | MP0954 | 140.51 € |

THERMOSTATS


| TYPE | DESCRIPTION | REFERENCE | €uro HT |
|------------------------|----------------|-----------|---------|
| D500 501 502 Z6W - Z7U | Thermostat 87° | MP0703 | 18.15 € |
| D500 501 502 Z6W - Z7U | Thermostat 83° | MP0708 | 22.41 € |
| D503 Z7X | Thermostat 84° | MP0710 | 80.79 € |

VASE EXPANSION


| TYPE | DESCRIPTION | REFERENCE | €uro HT |
|---------------------------|---|-----------|---------|
| D501 D502 D503 | Plug for water expansion tank (blue) (1.20bar | MP0753 | 3.23 € |
| D501/502/503 / EUROPA CUP | Plug for water expansion (brown) (1.40 bars | MP0754 | 3.23 € |
| D501/502/503 | water expansion tank (without plug) | MP0755 | 59.00 € |