


CARBURATORS

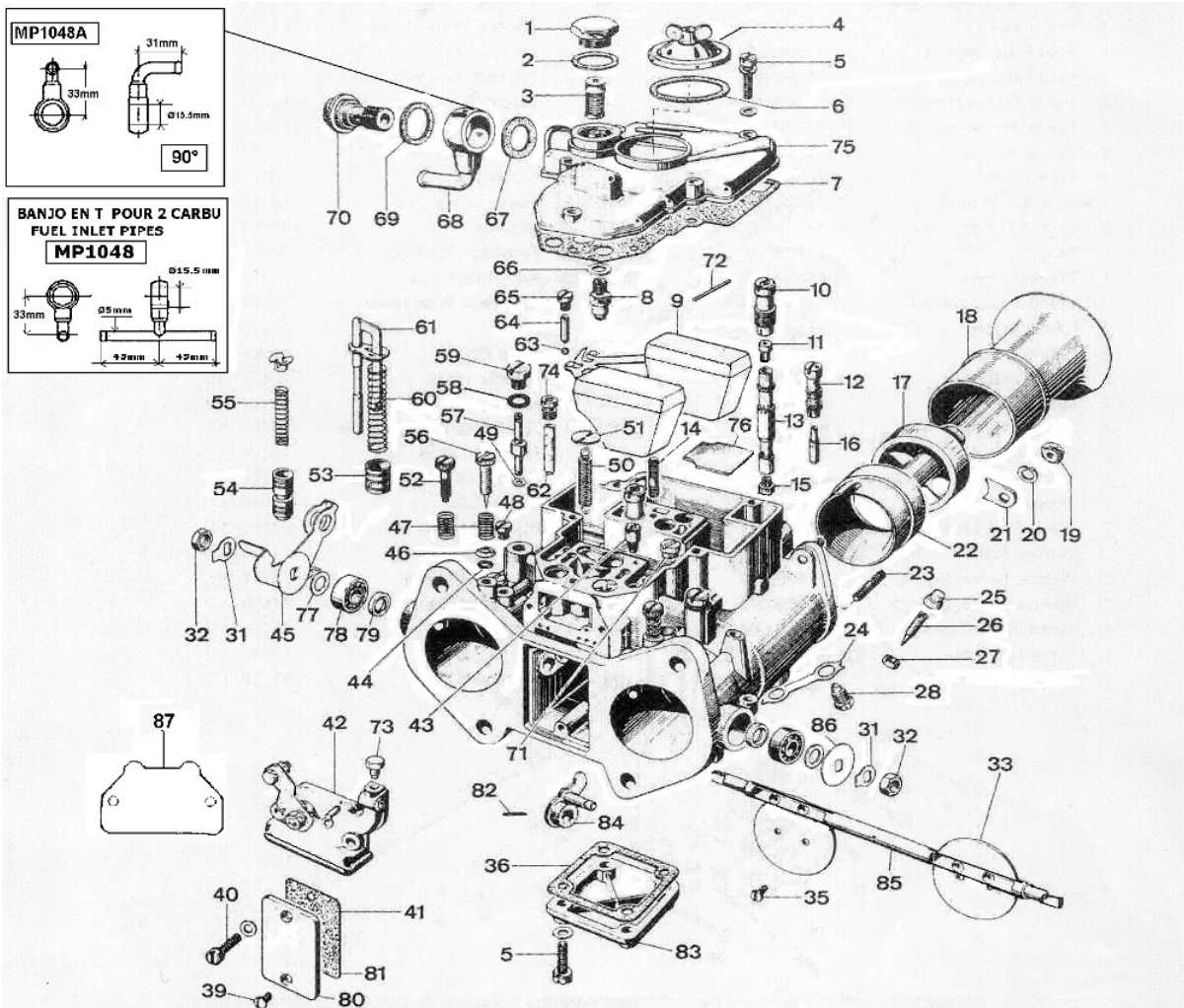
TYPE	DESCRIPTION	REFERENCE	€uro HT
	Carburator 40DCOE 151 with 2 trumps	MP1031	443.50 €

REGULATORS

DESCRIPTION	REFERENCE	€uro HT
Regulator and filter for fuel. Ø 67 mm	MP1326	72.90 €

GASOLINE HOSES

DESCRIPTION	REFERENCE	€uro HT
Pétrol hose Ø 6mm (price of metre)	MP1092A6	4.98 €
Pétrol hose Ø 6mm (price of metre)	MP1092A8	5.10 €




DESCRIPTION	REFERENCE	€uro HT
rep () : Fuel inlet pipe	MP1048	28.71 €
rep () : Lever 2 carburators	MP1056A	18.95 €
rep (2) : filter cover gasket	MP1060B	1.38 €
rep (4) : Jet inspection cover	MP1075	20.48 €
rep (6) : Jet inspection cover gasket	MP1076	0.92 €
rep (7) : Top cover gasket	MP1086	1.15 €
rep (8) : Needle valve	MP1079A150	13.21 €
rep (8) : Needle valve	MP1079A175	13.21 €
rep (8) : Needle valve	MP1079A200	13.21 €
rep (9) : Float brass 26 gr	MP1055	39.95 €
rep (9) : Float nitrile 18 gr	MP1055A	34.90 €
rep (10) : Emulsion tube holder	MP1071	10.75 €
rep (11) : Air correcteur JET 150	MP1051A150	5.75 €
rep (11) : Air correcteur JET 155	MP1051A155	5.75 €
rep (11) : Air correcteur JET 160	MP1051A160	5.75 €
rep (11) : Air correcteur JET 170	MP1051A170	5.75 €
rep (11) : Air correcteur JET 175	MP1051A175	5.75 €
rep (11) : Air correcteur JET 180	MP1051A180	5.75 €
rep (11) : Air correcteur JET 185	MP1051A185	5.75 €
rep (11) : Air correcteur JET 190	MP1051A190	5.75 €
rep (11) : Air correcteur JET 200 for DCOE 40 gordini original	MP1051A200	5.75 €
rep (11) : Air correcteur JET 220 for DCOE 45 Alpine original	MP1051A220	5.75 €
rep (12) : Idle jet holder	MP1080	24.11 €
rep (13) : Emulsion TUBE F 9	MP1053 F9	20.67 €
rep (13) : Emulsion TUBE F 11	MP1053 F11	20.67 €
rep (13) : Emulsion TUBE F15	MP1053 F15	25.25 €
rep (13) : Emulsion TUBE F16	MP1053 F16	25.25 €
rep (15) : Main jet 115	MP1049A115	5.75 €
rep (15) : Main jet 120	MP1049A120	5.75 €
rep (15) : Main jet 125	MP1049A125	5.75 €
rep (15) : Main jet 130	MP1049A130	5.75 €
rep (15) : Main jet 135	MP1049A135	5.75 €
rep (15) : Main jet 140	MP1049A140	5.75 €
rep (15) : Main jet 145	MP1049A145	5.75 €
rep (15) : Main jet 150	MP1049A150	5.75 €
rep ((15)) : Main jet 155	MP1049A155	5.75 €
rep (15) : Main jet 160	MP1049A160	5.75 €
Main jet 165	MP1049A165	5.75 €
rep ((16)) : Idle jet F8/40	MP1050F840	8.04 €
rep (16) : Idle jet F8/45	MP1050F845	8.04 €
rep (16) : Idle jet F8/50	MP1050F850	8.04 €
rep (16) : Idle jet F8/55	MP1050F855	8.04 €
rep (16) : Idle jet F8/60	MP1050F860	8.04 €
rep (16) : Idle jet F9/45	MP1050F945	8.04 €
rep (16) : Idle jet F9/50	MP1050F950	8.04 €
rep (16) : Idle jet F11/50	MP1050F1150	8.04 €
rep (17) : Auxilliaire Venturi	MP1054A450	27.85 €
rep (17) : Auxilliaire Venturi	MP1054B450	26.95 €
rep (18) : Air horn 45DCOE long 62mm	MP1081L62	39.04 €
rep (18) : Air horn 40 DCOE long 55mm	MP1081L55	28.90 €
rep (21) : Air horn tab	MP1073	4.94 €
rep (21) : Air horn tab	MP1074	4.94 €
rep ((22)) : Choke 34 / 45DCOE	MP1052A34	25.25 €
rep (22) : Choke 36 / 45 DCOE	MP1052A36	25.35 €
rep (22) : Choke 38 / 45 DCOE	MP1052A38	25.25 €
rep (22) : Choke 40 / 45 DCOE	MP1052A40	25.25 €
rep (22) : Choke 28 / 40 DCOE	MP1052B28	25.25 €

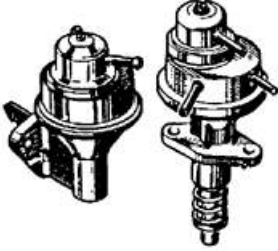
rep (22) : Choke 30 / 40 DCOE	MP1052B30	25.25 €
rep (22) : Choke 32 / 40 DCOE	MP1052B32	28.71 €
rep (22) : Choke 33 / 40 DCOE	MP1052B33	28.95 €
rep (22) : Choke 34 / 40 DCOE	MP1052B34	28.71 €
rep (24) : lock nut	MP1069	3.85 €
rep (28) : locking screw For Weber 40 DCOE	MP1070A40	5.85 €
rep (28) : locking screw For Weber 45 DCOE	MP1070A45	4.36 €
rep (31) : lock washer	MP1062	1.10 €
rep (33) : throttle plate 79°30 (old 40 DCOE)	MP1063	9.90 €
rep (33) : Throttle plate 78° for 40 DCOE (new version)	MP1063A40	9.18 €
rep (33) : Throttle plate 78° for 45 DCOE (New version)	MP1063A45	12.75 €
rep (35) : Throttle plate screw	MP1064	1.77 €
rep (43) : Pump exhaust valve	MP1077A40	8.90 €
rep (43) : Pump exhaust valve	MP1077A50	8.90 €
rep (43) : Pump exhaust valve	MP1077A60	8.90 €
rep (43) : Pump exhaust valve	MP1077A70	8.90 €
rep (43) : Pump exhaust valve	MP1077A75	8.90 €
rep (43) : Pump exhaust valve	MP1077A80	8.90 €
rep (43) : Pump exhaust valve	MP1077A85	8.90 €
rep (45) : Lever	MP1056	33.40 €
Accelerator lever 40 et 45 DCOE	MP1056B	15.81 €
rep (49) : rondelle inject ppe repr	MP1058	1.19 €
rep (50) : Throttle return spring	MP1082	4.95 €
rep (51) : Spring anchor plate	MP1082R	1.89 €
rep (53) : PUMP PLUNGER	MP1067	13.95 €
rep (56) : IDLE MIXTURE SCREW	MP1072	3.45 €
rep (57) : Accelerator pump JET 30	MP1057A30	10.34 €
rep (57) : Accelerator pump JET 35	MP1057A35	10.34 €
rep (57) : Accelerator pump JET 40	MP1057A40	9.75 €
rep (57) : Accelerator pump JET 45	MP1057A45	9.75 €
rep (57) : Accelerator pump JET 50	MP1057A50	9.95 €
rep (58) : Pump jet "O"ring	MP1083	1.15 €
rep (60) : Pump rod spring	MP1065	2.45 €
rep () : Pump rod spring	MP1066	3.38 €
rep (61) : Pump rod	MP1068	18.95 €
rep (67) : Fuel union gasket	MP1060	1.38 €
rep (68) : Fuel union	MP1048A	14.99 €
rep (69) : Fuel union gasket	MP1060A	1.42 €
rep (70) : Fuel union bolt	MP1059	16.30 €
rep (72) : Float pin	MP1084	2.35 €
rep (78) : BEARING	MP1061	12.75 €
rep (85) : Throttle spindlet 45 DCOE	MP1078A45	50.95 €
rep (85) : Throttle spinlet 40 DCOE	MP1078A40	49.90 €
rep (87) : Plate steel to replace the system of choke	MP1085	10.21 €

SETS OF CARBURATOR GASKETS

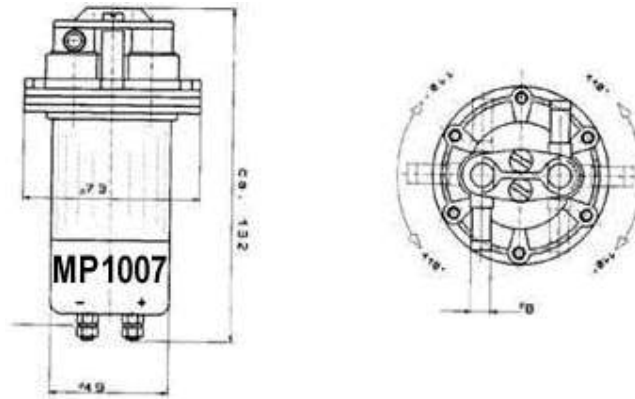
Set of gaskets , O rings

	TYPE	DESCRIPTION	REFERENCE	€uro HT
	R8G 1300	Set for 2 carburators Weber 40 DCOE	MP1001	47.95 €
	R8 et CARAVELLE	Set for 1 carburator Weber 32 DISTA-DITA	MP1090	21.96 €

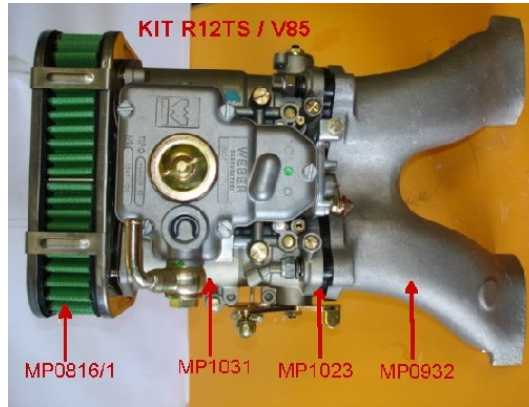
MECHANICAL PETROL PUMPS

	TYPE	DESCRIPTION	REFERENCE	€uro HT
	R8	Mechanical pump	MP1005	35.38 €
	R8	FUEL PUMP BACALITE INSULATOR	MP1005/CALE	€
	R8 GORDINI (R1135)	Mechanical pump	MP1015	36.90 €
	DAUPHINE - DAUPHINE GORDINI	mechanical pump	MP1087	37.05 €

ELECTRICAL AND ELECTRONIC FUEL PUMPS

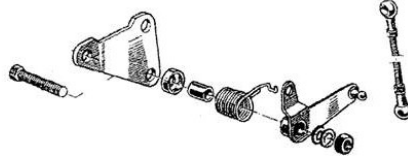


TYPE	DESCRIPTION	REFERENCE	€uro HT
R8G	Replacement original pump flow 130l/h pressure 0.35bar	MP1007	89.00 €
R8	Electricla fuel pump 400 gr + accessories	MP1015/400	81 €
R8	Kit Electrical fuel pump 400 gr + Regulator & filtre King Ø 67 mm	MP1015/kit	135 €


ALUMINIUM PIPES


TYPE	DESCRIPTION	REFERENCE	€uro HT
R8 - R10	Delivered with o-rings and attaching hardware for weber 40dcoe	MP0932	299.50 €
R8G 1300	rep (4) : Silentblock between pipe and the 2 Weber 40DCOE	MP1016	49.91 €
WEBER 40 DCOE	Carburattor mounting WEBER 40DCOE (the pair)	MP1023	21.07 €
WEBER 45 DCOE	Carburattor mounting Weber 45 DCOE (the pair)	MP1023w45	21.07 €
R8G 1300	Set of 4 carburetor flange connections O ring 45x5 for the installation with manifold origin	MP0612	24.11 €
R8 G culasse R5 ALPINE 2 Weber 40 DCOE	One-piece pipe with 5° inclined ducts, length 33,5 cm, possibility of machining for 45 DCOE delive	MP0910	327.00 €

ACCELERATOR CONTROL SET



TYPE	DESCRIPTION	REFERENCE	Euro HT
R8G avec culasse origine ou culasse R5 A	Accelerator control	MP1013	99.98 €
R8 1300G ou moteur R5 Alpine avec 2 carbu	Bichromated and zinc coated bracket fitted on the gearbox for the accelerator cable subway	MP1018	30.45 €

FUEL GAUGES / HOSE

DESCRIPTION	REFERENCE	Euro HT
Fuel hoses for R8 G fuel tank front or rear	MP1758	44 €
FUELLING SEAL FOR FUEL TANK R8/R10	MP1759	8.95 €
Rear fuel tank gauge	MP1026	0.00 €
Fuel switch command R 8 Gordini	MP1331	199.00 €