




CARBURATORS

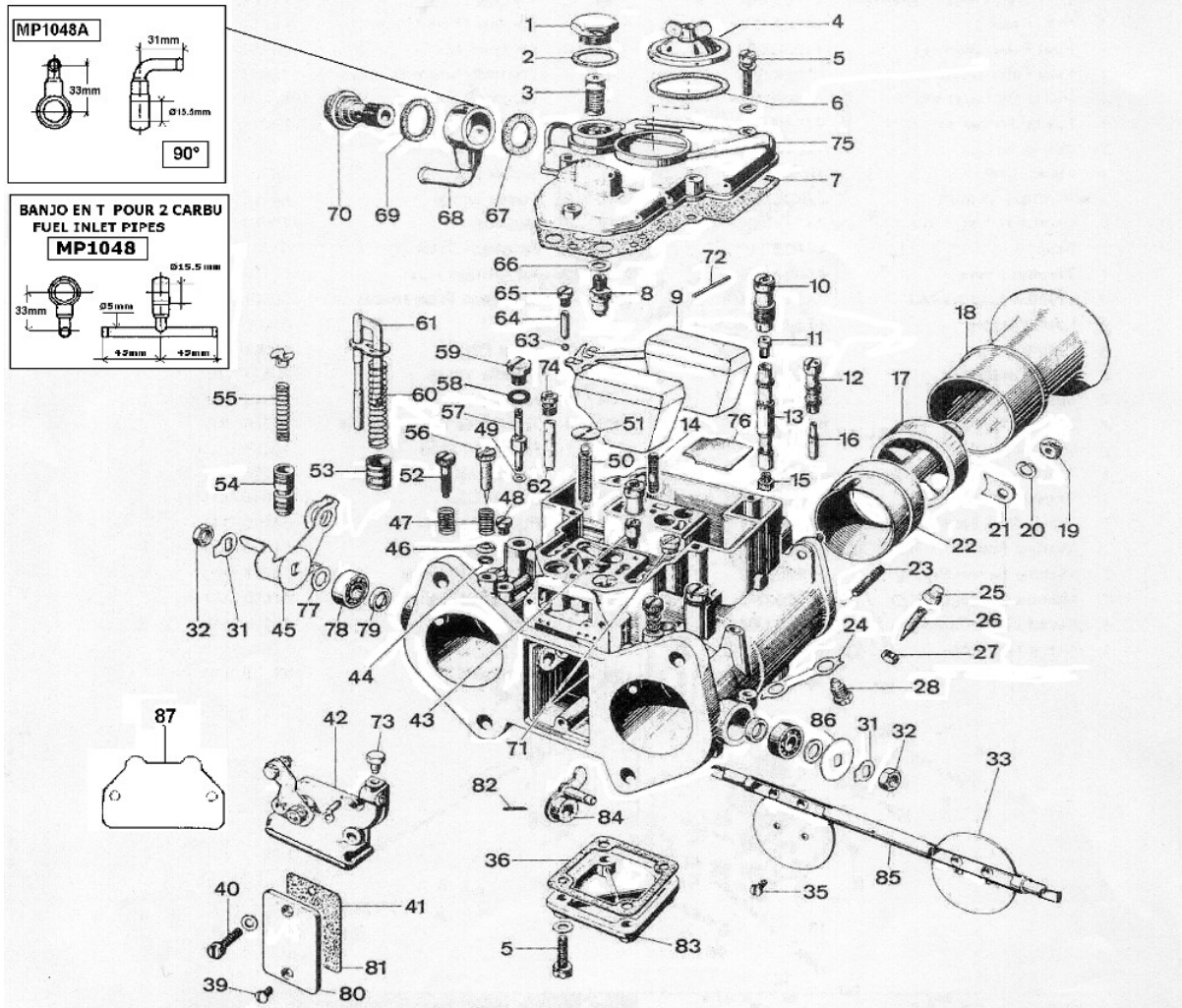
| TYPE | DESCRIPTION | REFERENCE | €uro HT |
|----------------------------------------------------------------------------------|-----------------------------------------|-----------|----------|
|  | Carburator 45DCOE 152 with the 2 trumps | MP1032 | 443.50 € |

REGULATORS

| DESCRIPTION | REFERENCE | €uro HT |
|----------------------------------------|-----------|---------|
| Regulator and filter for fuel. Ø 67 mm | MP1326 | 72.00 € |

GASOLINE HOSES

| DESCRIPTION | REFERENCE | Euro HT |
|------------------------------------|-----------|---------|
| Pétrol hose Ø 6mm (price of metre) | MP1092A6 | 4.98 € |
| Pétrol hose Ø 6mm (price of metre) | MP1092A8 | 5.10 € |

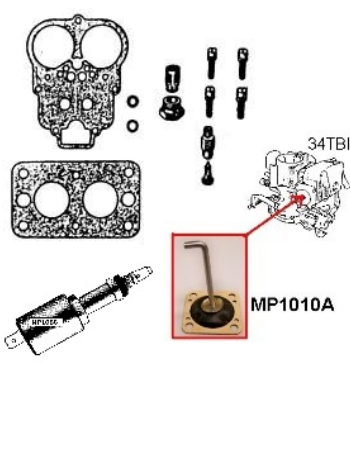


| DESCRIPTION | REFERENCE | €uro HT |
|------------------------------------------------------------------|-------------|---------|
| rep () : Fuel inlet pipe | MP1048 | 28.71 € |
| rep () : Lever 2 carburators | MP1056A | 18.95 € |
| rep (2) : filter cover gasket | MP1060B | 1.38 € |
| rep (4) : Jet inspection cover | MP1075 | 20.48 € |
| rep (6) : Jet inspection cover gasket | MP1076 | 0.92 € |
| rep (7) : Top cover gasket | MP1086 | 1.15 € |
| rep (8) : Needle valve | MP1079A150 | 13.21 € |
| rep (8) : Needle valve | MP1079A175 | 13.21 € |
| rep (8) : Needle valve | MP1079A200 | 13.21 € |
| rep (9) : Float brass 26 gr | MP1055 | 39.95 € |
| rep (9) : Float nitrile 18 gr | MP1055A | 34.90 € |
| rep (10) : Emulsion tube holder | MP1071 | 10.75 € |
| rep (11) : Air correcteur JET 150 | MP1051A150 | 5.75 € |
| rep (11) : Air correcteur JET 155 | MP1051A155 | 5.75 € |
| rep (11) : Air correcteur JET 160 | MP1051A160 | 5.75 € |
| rep (11) : Air correcteur JET 170 | MP1051A170 | 5.75 € |
| rep (11) : Air correcteur JET 175 | MP1051A175 | 5.75 € |
| rep (11) : Air correcteur JET 180 | MP1051A180 | 5.75 € |
| rep (11) : Air correcteur JET 185 | MP1051A185 | 5.75 € |
| rep (11) : Air correcteur JET 190 | MP1051A190 | 5.75 € |
| rep (11) : Air correcteur JET 200 for DCOE 40 gordini original | MP1051A200 | 5.75 € |
| rep (11) : Air correcteur JET 220 for DCOE 45 Alpine original | MP1051A220 | 5.75 € |
| rep (12) : Idle jet holder | MP1080 | 24.11 € |
| rep (13) : Emulsion TUBE F 9 | MP1053 F9 | 20.67 € |
| rep (13) : Emulsion TUBE F 11 | MP1053 F11 | 20.67 € |
| rep (13) : Emulsion TUBE F15 | MP1053 F15 | 25.25 € |
| rep (13) : Emulsion TUBE F16 | MP1053 F16 | 25.25 € |
| rep (15) : Main jet 115 | MP1049A115 | 5.75 € |
| rep (15) : Main jet 120 | MP1049A120 | 5.75 € |
| rep (15) : Main jet 125 | MP1049A125 | 5.75 € |
| rep (15) : Main jet 130 | MP1049A130 | 5.75 € |
| rep (15) : Main jet 135 | MP1049A135 | 5.75 € |
| rep (15) : Main jet 140 | MP1049A140 | 5.75 € |
| rep (15) : Main jet 145 | MP1049A145 | 5.75 € |
| rep (15) : Main jet 150 | MP1049A150 | 5.75 € |
| rep ((15)) : Main jet 155 | MP1049A155 | 5.75 € |
| rep (15) : Main jet 160 | MP1049A160 | 5.75 € |
| Main jet 165 | MP1049A165 | 5.75 € |
| rep ((16)) : Idle jet F8/40 | MP1050F840 | 8.04 € |
| rep (16) : Idle jet F8/45 | MP1050F845 | 8.04 € |
| rep (16) : Idle jet F8/50 | MP1050F850 | 8.04 € |
| rep (16) : Idle jet F8/55 | MP1050F855 | 8.04 € |
| rep (16) : Idle jet F8/60 | MP1050F860 | 8.04 € |
| rep (16) : Idle jet F9/45 | MP1050F945 | 8.04 € |
| rep (16) : Idle jet F9/50 | MP1050F950 | 8.04 € |
| rep (16) : Idle jet F11/50 | MP1050F1150 | 8.04 € |
| rep (17) : Auxilliaire Venturi | MP1054A450 | 27.85 € |
| rep (17) : Auxilliaire Venturi | MP1054B450 | 26.95 € |
| rep (18) : Air horn 45DCOE long 62mm | MP1081L62 | 39.04 € |
| rep (18) : Air horn 40 DCOE long 55mm | MP1081L55 | 28.90 € |
| rep (21) : Air horn tab | MP1073 | 4.94 € |
| rep (21) : Air horn tab | MP1074 | 4.94 € |
| rep ((22)) : Choke 34 / 45DCOE | MP1052A34 | 25.25 € |
| rep (22) : Choke 36 / 45 DCOE | MP1052A36 | 25.25 € |
| rep (22) : Choke 38 / 45 DCOE | MP1052A38 | 25.25 € |
| rep (22) : Choke 40 / 45 DCOE | MP1052A40 | 25.25 € |
| rep (22) : Choke 28 / 40 DCOE | MP1052B28 | 25.25 € |


| | | |
|------------------------------------------------------------|-----------|---------|
| rep (22) : Choke 30 / 40 DCOE | MP1052B30 | 25.25 € |
| rep (22) : Choke 32 / 40 DCOE | MP1052B32 | 28.71 € |
| rep (22) : Choke 33 / 40 DCOE | MP1052B33 | 28.95 € |
| rep (22) : Choke 34 / 40 DCOE | MP1052B34 | 28.71 € |
| rep (24) : lock nut | MP1069 | 3.12 € |
| rep (28) : locking screw For Weber 40 DCOE | MP1070A40 | 5.85 € |
| rep (28) : locking screw For Weber 45 DCOE | MP1070A45 | 4.36 € |
| rep (31) : lock washer | MP1062 | 1.10 € |
| rep (33) : throttle plate 79°30 (old 40 DCOE) | MP1063 | 9.90 € |
| rep (33) : Trottle plate 78° for 40 DCOE (new version) | MP1063A40 | 9.18 € |
| rep (33) : Trottle plate 78° for 45 DCOE (New version) | MP1063A45 | 12.75 € |
| rep (35) : Throttle plate screw | MP1064 | 1.77 € |
| rep (43) : Pump exhaust valve | MP1077A40 | 8.90 € |
| rep (43) : Pump exhaust valve | MP1077A50 | 8.90 € |
| rep (43) : Pump exhaust valve | MP1077A60 | 8.90 € |
| rep (43) : Pump exhaust valve | MP1077A70 | 8.90 € |
| rep (43) : Pump exhaust valve | MP1077A75 | 8.90 € |
| rep (43) : Pump exhaust valve | MP1077A80 | 8.90 € |
| rep (43) : Pump exhaust valve | MP1077A85 | 8.90 € |
| rep (45) : Lever | MP1056 | 33.40 € |
| Accelerator lever 40 et 45 DCOE | MP1056B | 15.81 € |
| rep (49) : rondelle inject ppe repr | MP1058 | 1.19 € |
| rep (50) : Throttle return spring | MP1082 | 4.95 € |
| rep (51) : Spring anchor plate | MP1082R | 1.89 € |
| rep (53) : PUMP PLUNGER | MP1067 | 13.95 € |
| rep (56) : IDLE MIXTURE SCREW | MP1072 | 3.45 € |
| rep (57) : Acc?l?rator pump JET 30 | MP1057A30 | 10.34 € |
| rep (57) : Acc?l?rator pump JET 35 | MP1057A35 | 10.34 € |
| rep (57) : Acc?l?rator pump JET 40 | MP1057A40 | 9.75 € |
| rep (57) : Acc?l?rator pump JET 45 | MP1057A45 | 9.75 € |
| rep (57) : Acc?l?rator pump JET 50 | MP1057A50 | 9.95 € |
| rep (58) : Pump jet "O"ring | MP1083 | 1.15 € |
| rep (60) : Pump rod spring | MP1065 | 2.45 € |
| rep () : Pump rod spring | MP1066 | 3.38 € |
| rep (61) : Pump rod | MP1068 | 18.95 € |
| rep (67) : Fuel union gasket | MP1060 | 1.38 € |
| rep (68) : Fuel union | MP1048A | 14.99 € |
| rep (69) : Fuel union gasket | MP1060A | 1.42 € |
| rep (70) : Fuel union bolt | MP1059 | 16.30 € |
| rep (72) : Float pin | MP1084 | 2.35 € |
| rep (78) : BEARING | MP1061 | 12.75 € |
| rep (85) : Throttle spindlet 45 DCOE | MP1078A45 | 50.95 € |
| rep (85) : Throttle spinlet 40 DCOE | MP1078A40 | 49.90 € |
| rep (87) : Plate steel to replace the system of choke | MP1085 | 10.21 € |

SETS OF CARBURATOR GASKETS

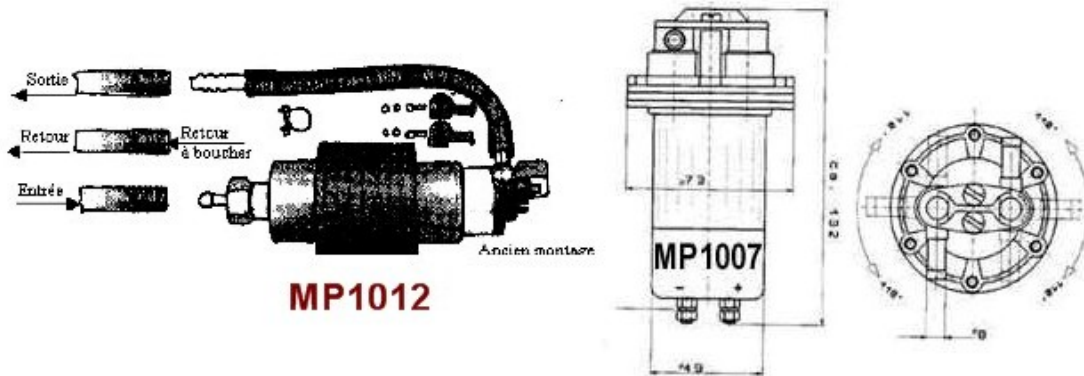
Set of gaskets , O rings

|  | TYPE | DESCRIPTION | REFERENCE | €uro HT |
|----------------------------------------------------------------------------------|---------------------------|-----------------------------------------------|-----------|---------|
| | A310 1600 | Set for 2 carburators Weber 45 DCOE | MP1002 | 49.98 € |
| | A310 1800 | Set for 1 carburator Weber 48 DCOE 98.99 | MP1003 | 39.81 € |
| | A310 / 6 | Set for 1 carbu Solex 34TBIA & 35CEEI | MP1010 | 51.95 € |
| | A310/6 | Membrane starter for the carburetor 34TBIA | MP1010A | 8.15 € |
| | A310/6 | Idle valve (screwed on the carburetor) | MP1088 | 29.95 € |
| | V6 Avec des triples corps | Set for 1 carburator Weber triple body 40 IDA | MP1010B | 55.90 € |

MECHANICAL PETROL PUMPS

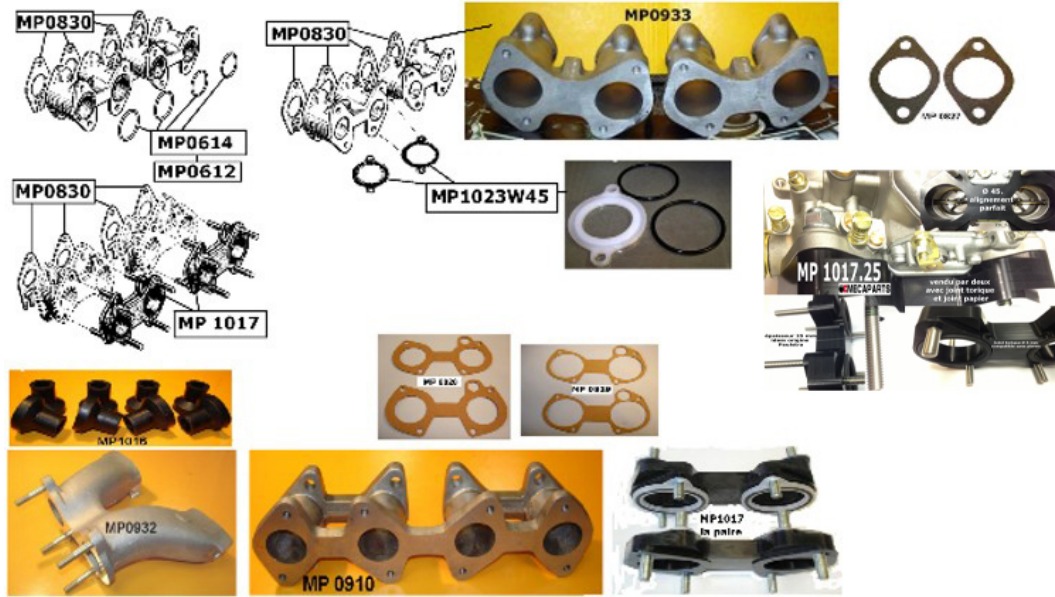
|  | TYPE | DESCRIPTION | REFERENCE | €uro HT |
|------------------------------------------------------------------------------------|-----------------|------------------------------|-------------|---------|
| | A 310 / 4 | Mechanical pump | MP1006 | 42.16 € |
| | A310/4 | FUEL PUMP BACALITE INSULATOR | MP1006/cale | 4.99 € |
| A310 / 6 | Mechanical pump | MP1011 | 37.46 € | |

ELECTRICAL AND ELECTRONIC FUEL PUMPS



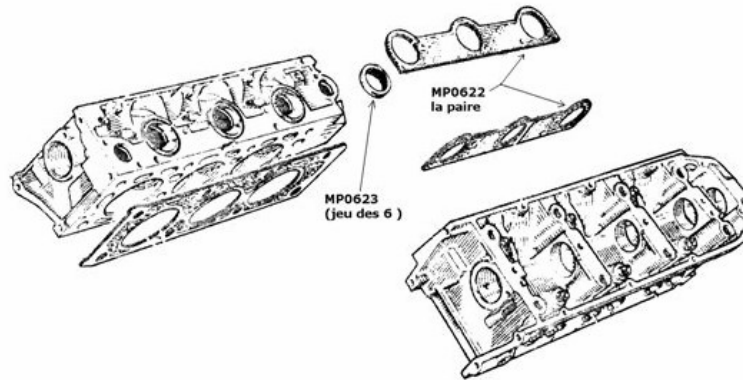
| TYPE | DESCRIPTION | REFERENCE | €uro HT |
|---------------------|-------------------------------------------------------------------|------------|----------|
| A310 / 4 | Replacement original pump flow 130l/h pressure 0.35bar | MP1007 | 89.00 € |
| A310 | Electricla fuel pump 400 gr + accessories | MP1015/400 | 81 € |
| A310 | Kit Electrical fuel pump 400 gr + Regulator & filtre King Ø 67 mm | MP1015/kit | 135 € |
| A 310 / 4 INJECTION | fuel pump for injection bosch 2,0 to 3,0 Bar | MP1012 | 179.00 € |

ALUMINIUM PIPES



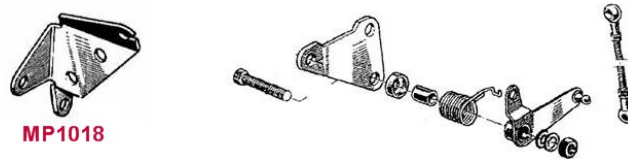
| TYPE | DESCRIPTION | REFERENCE | €uro HT |
|--------------------------|----------------------------------------------------------------------------------------------|-----------|----------|
| A310 1600 2Weber 45 DCOE | 1st fitting without flexible flanges delivered with attaching hardware | MP0933 | 278.35 € |
| A 310 1600 | rep (4) : Silentblock between pipe and the 2 Weber 40DCOE | MP1016 | 49.91 € |
| WEBER 40DCOE | Carburattor mounting WEBER 40DCOE (the pair) | MP1023 | 21.07 € |
| WEBER 45DCOE | Carburattor mounting Weber 45 DCOE (the pair) | MP1023w45 | 21.07 € |
| A310 1600 | O rings for flange Ø5 x Ø58 ext(les 4) | MP0614 | 25.25 € |
| A310 1600 | Aluminum bridles with joints (The pair) replace the version made of rubber | MP1017 | 160.72 € |
| A310 | Complete kit alloy birdles 45mm with seals | MP1017.25 | 184.00 € |
| 1600 | gasket fibrous for inlet pipes (set of 4) | MP0827 | 5.35 € |
| 1600 | gasket in special paper between the air filters and the carburetors weber 40 dcoe (the pair) | MP0828 | 3.10 € |
| 1600 | gasket in special paper between the air filters and the carburetors weber 45 dcoe (the pair) | MP0829 | 3.10 € |
| A310/4 | Gaskets fibrous between cylinder head and manifold (the 4) | MP0830 | 6.75 € |

INLET SEALS FOR V6



| TYPE | DESCRIPTION | REFERENCE | Euro HT |
|----------|-----------------------------------------------------------|-----------|---------|
| A310 / 6 | Jeu de 2 cales en bakelite pour les collecteurs admission | MP0622 | 40.78 € |
| A310 / 6 | Jeu de 6 joints toriques pour collecteurs d'admission | MP0623 | 37.70 € |

ACCELERATOR CONTROL SET



| TYPE | DESCRIPTION | REFERENCE | Euro HT |
|--------|---------------------|-----------|----------|
| A310/4 | Accelerator control | MP1019 | 129.50 € |