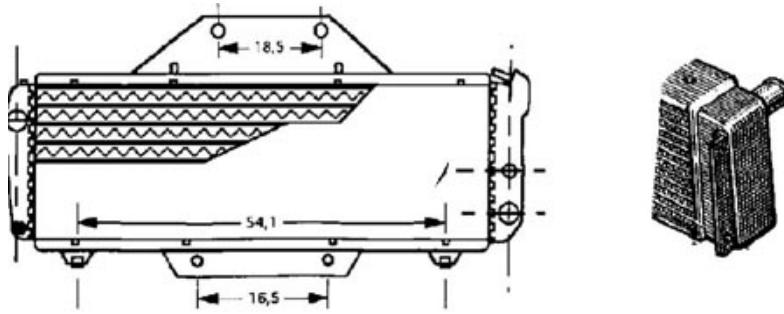


RADIATORS



A310/4

DESCRIPTION	REFERENCE	€uro HT
Alumiinium core weight 3kg (Measurements 675mmx180mm x 70mm)	MP0956	384.52 €

A310/6

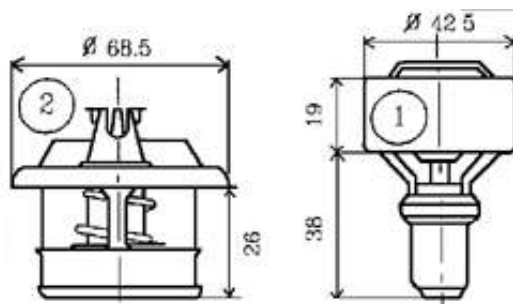
Radiator for prepared or serial engine Manifolds : 240x50 - 240x50 Copper 705x225x53	MP0908	428.00 €
--------------------------------------------------------------------------------------	--------	----------

FAN



DESCRIPTION	REFERENCE	€uro HT
High performance fan Ø247mm with mounting set	MP0993	128.81 €
Fan pin fitting kit	MP0935/fix	9.90 €

THERMOSTATS



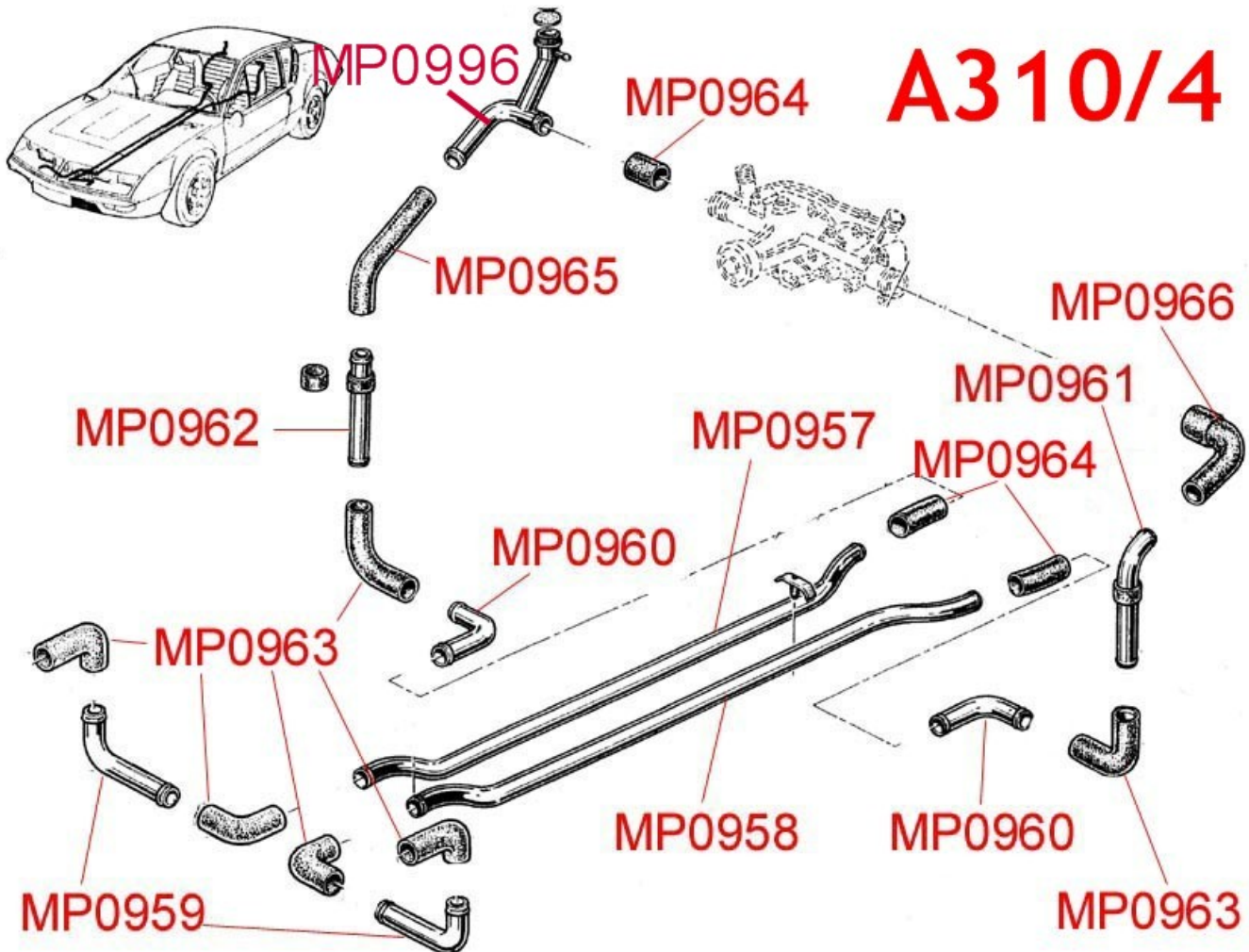
TYPE	DESCRIPTION	REFERENCE	€uro HT
A310 / 4	Calorstat 75°	MP0702	16.98 €
A310 / 4	Calorstat 83°	MP0707	19.32 €
A310 / 6	Thermostat 87°	MP0703	18.15 €
A310 / 6	Thermostat 83°	MP0708	22.41 €

VALVES AND FLEXIBLE HOSES



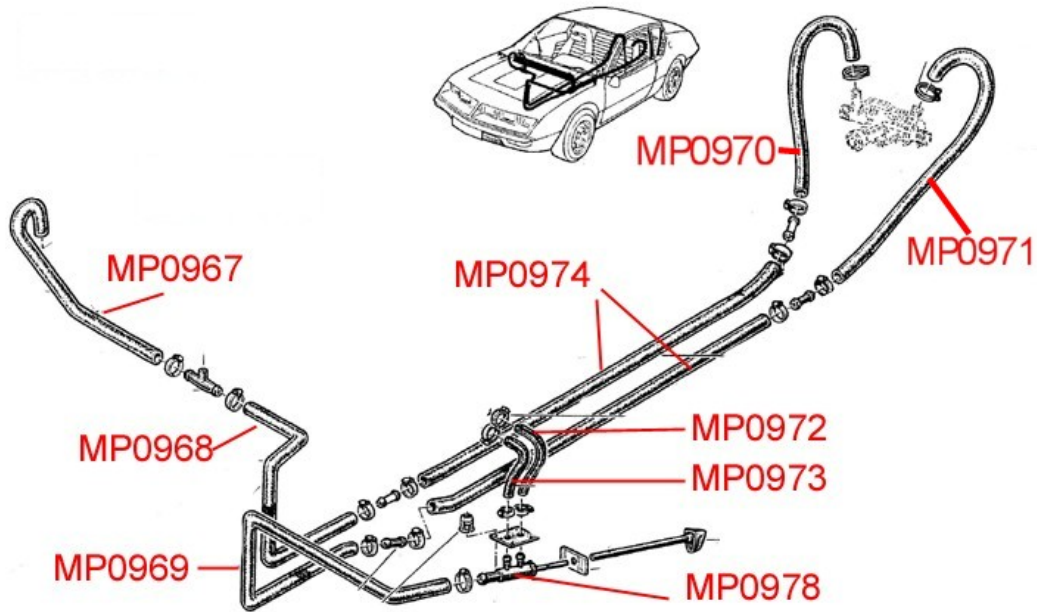
TYPE	DESCRIPTION	REFERENCE	€uro HT
A310 / 6	Heating valve	MP0455	30.01 €
A310 / 4	Heating valve ref origine 77 00 516 399	MP0978	0 €

BRASS TUBES AND HOSES A310/4



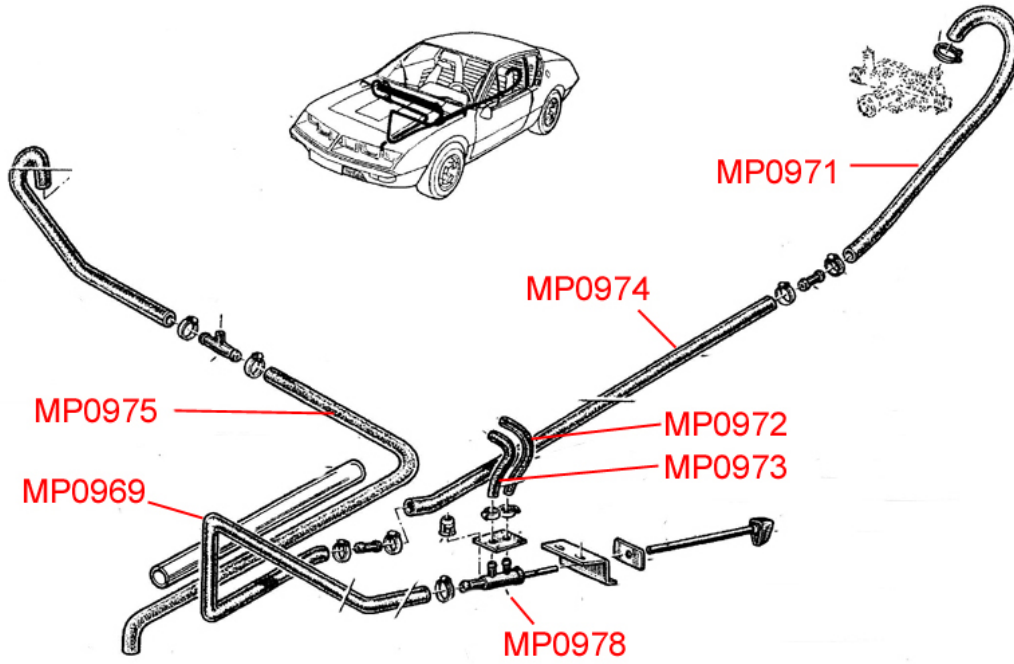
DESCRIPTION	REFERENCE	€uro HT
steel tube with treatment	MP0957	109.95 €
steel tube with painting black epoxy	MP0958	116.90 €
steel linking tube behind radiator	MP0959	42.90 €
steel linking tube elbow 90°	MP0960	59.75 €
steel linking tube	MP0961	73.80 €
steel brass linking tube	MP0962	24.40 €
Black silicone hose elbow 90° Ø32mm longt 120 mm x120mm	MP0963	17.23 €
Straight black silicone hose Ø32mm lg 1m	MP0964	28.71 €
black silicone hose Ø32mm elbow 45° long 150mm x 150mm	MP0965	20.67 €
Black silicone hose Ø32-45mm lg100-160mm	MP0966	22.96 €
Filling tube with cap	MP0996	166.46 €

A310/4 1600VE 1...1002 - A310/4 1600VF 1...21002



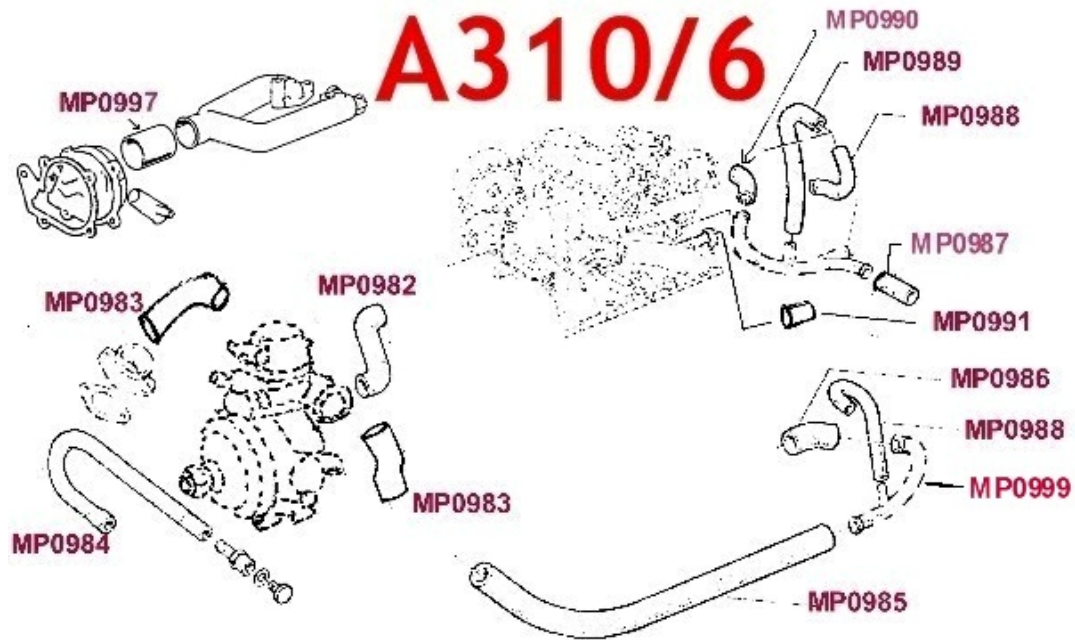
DESCRIPTION	REFERENCE	€uro HT
Hose for water pump outlet ref origine 60 00 002 257	MP0971	18.74 €
Straight hose (2m) ref origine 60 00 002 258	MP0974	46.85 €
Hose for valve inlet ref origine 60 00 002 261	MP0969	17.57 €
Hose for valve outlet ref origine 0 857 729 400	MP0972	12.20 €
Hose for valve outlet ref origine 0 857 729 500	MP0973	12.88 €
Hose for radiator outlet ref origine 60 00 002 262	MP0967	5.85 €
Bent hose ref origine 60 00 0002 260	MP0968	17.57 €
Straight hose (2m) ref origine 60 00 002 258	MP0974	46.85 €
Hose for water pump inlet ref origine 60 00 002 256	MP0970	16.95 €
Complete set of all hoses.	MP0980	169.00 €

A310/4 1600VE 1003...fin - A310/4 1600VF 21003...fin



DESCRIPTION	REFERENCE	€uro HT
Hose for water pump outlet ref origine 60 00 002 257	MP0971	18.74 €
Straight hose (2m) ref origine 60 00 002 258	MP0974	46.85 €
Hose for valve inlet ref origine 60 00 002 261	MP0969	17.57 €
Hose for valve outlet ref origine 0 857 729 400	MP0972	12.20 €
Hose for valve outlet ref origine 0 857 729 500	MP0973	12.88 €
Hose for radiator outlet ref origine 60 00 002 262	MP0967	5.85 €
Hose ref origine 60 00 047 567	MP0975	24.60 €
Complete set of all hoses and heating valve	MP0981	134.31 €

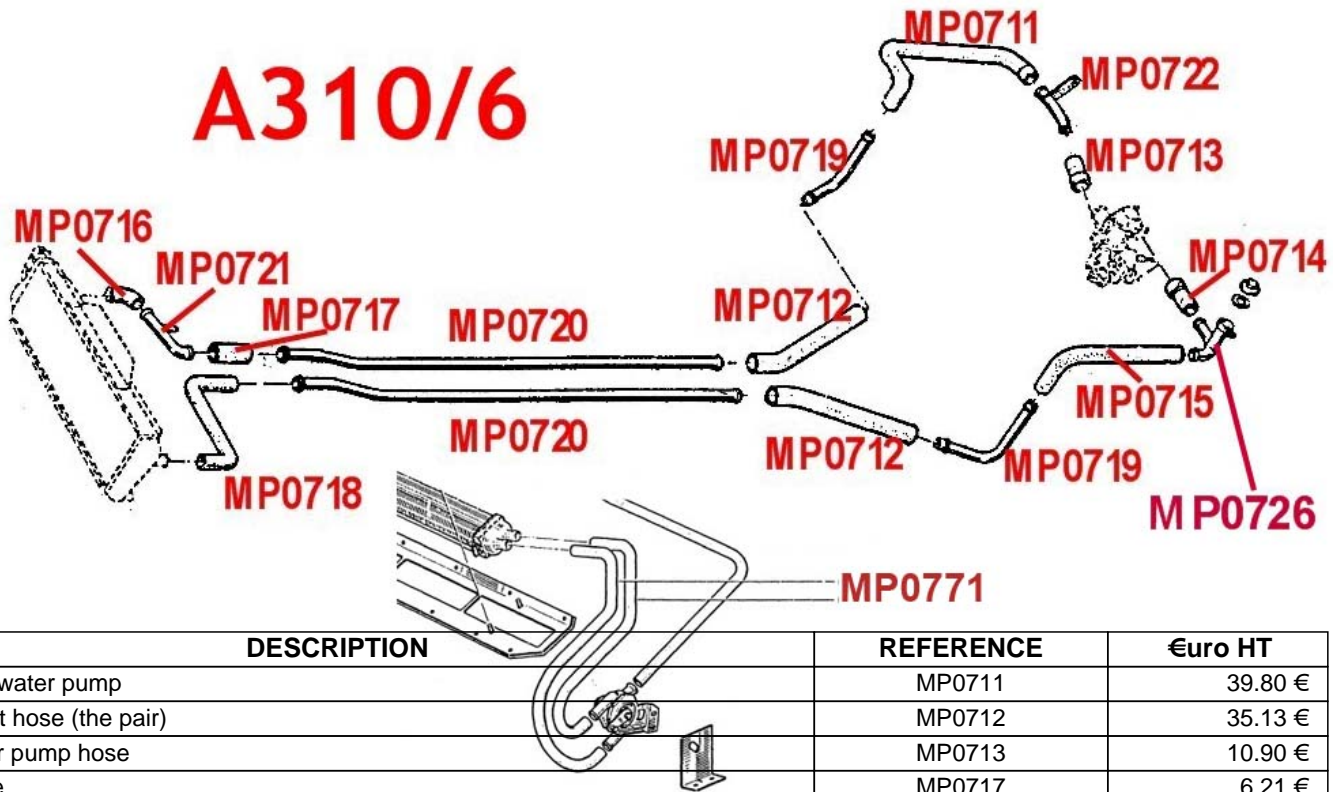
RUBBER HOSES AND TUBES A310/6 FROM WATER PUMP TO CARBURATORS



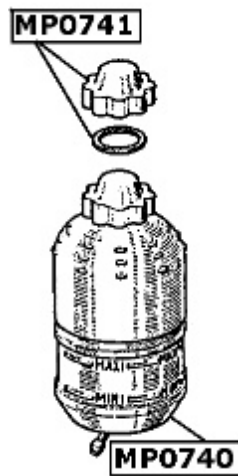
DESCRIPTION	REFERENCE	€uro HT
Water hose for carburator warming	MP0982	8.61 €
Water hose for carburator warming (the 2)	MP0983	16.87 €
Water hose for carburator warming	MP0984	2.88 €
Water hose for carburator warming	MP0985	12.07 €
Water hose for carburator warming	MP0986	15.74 €
Water hose (black silicone)	MP0987	6.09 €
Water hose for carburator warming (the 2) (Rep 9)	MP0988	20.55 €
Water hose for carburator warming (Rep 10)	MP0989	8.61 €
Water hose elbow 90° (black silicone)	MP0990	10.89 €
Cap on intake pipe A310/6	MP0991	1.38 €
water hose	MP0997	5.75 €
Set of 12 water hoses for carburator warming	MP0992	81.51 €
Tube of water made of steel (painting époxy)	MP0999	59.90 €

STEEL TUBES AND HOSES A310/6

A310/6



DESCRIPTION		REFERENCE	€uro HT
Bent hose water pump		MP0711	39.80 €
Inlet / outlet hose (the pair)		MP0712	35.13 €
Outlet water pump hose		MP0713	10.90 €
Outlet hose		MP0717	6.21 €
Inlet radiator hose		MP0716	12.88 €
Outlet radiator hose		MP0718	29.27 €
Hose to water pump		MP0715	33.97 €
Inlet water pump hose		MP0714	12.30 €
Outlet water pump tube		MP0722	69.80 €
Elbow 90° tube		MP0719	58.40 €
Inside tubes (the pair)		MP0720	116.90 €
Inlet radiator tube		MP0721	83.90 €
Water filling tube (steel) with cap (black painted)		MP0726	149.90 €
A310	Radiator cap	MP0704	5.27 €
Heater hoses 310 V6. the pair.		MP0771	29.60 €



DESCRIPTION		REFERENCE	€uro HT
Water expansion tank with plug A310/6		MP0740	17.23 €
Plug for water expansion tank (0.70 bars)		MP0741	3.23 €