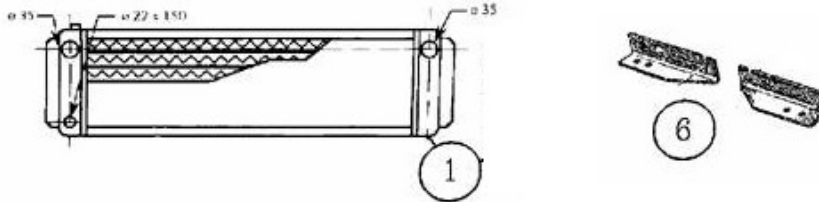


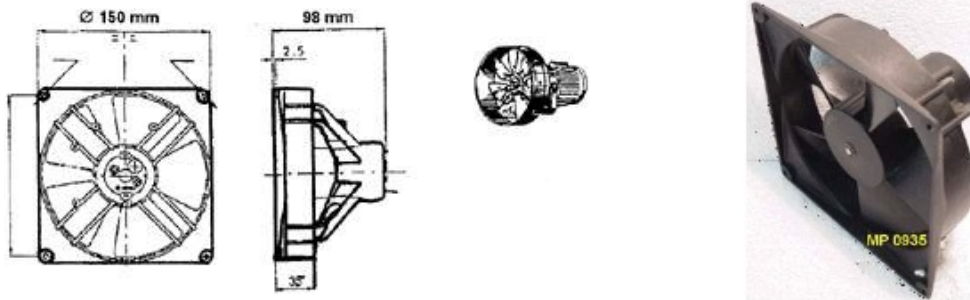
OIL COOLING SYSTEM

TYPE	DESCRIPTION	REFERENCE	€uro HT
A 110 1300 G et 1300 S	Kit nitril hoses for oil radiator. 2 m.	MP0813	29.85 €
A 110 - 1300	Set for 13 rows oil radiator containing flexibles hoses, connectors and a by-pass unit	MP0949	234.90 €
A 110 - 1600	Set for 19 rows oil radiator containing flexibles hoses, connectors and a by-pass unit	MP0947	314.90 €
A 110	Kit of 2 aviation hoses for replacement of original hoses	MP0948	204.92 €
A110	ALLOY SEPARATOR OIL HOSE Ø 20.6 MM	MP0839	12.90 €



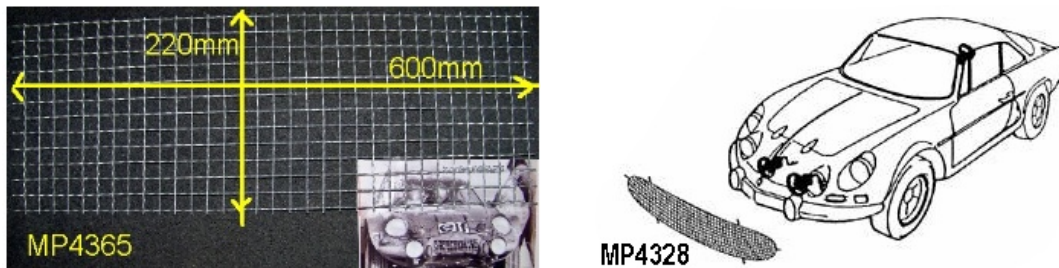
TYPE	DESCRIPTION	REFERENCE	€uro HT
A 110 1300 - 1600	Aluminium core (with the MP0938 fixings)	MP0955	428.00 €
A 110 1600 SC - SI - SX	Aluminium core weight 3kg (Measurements 675mmx180mm x 70mm)	MP0956	384.52 €
A 110	rep (6) : Pair of brackets	MP0938	28.71 €

FAN

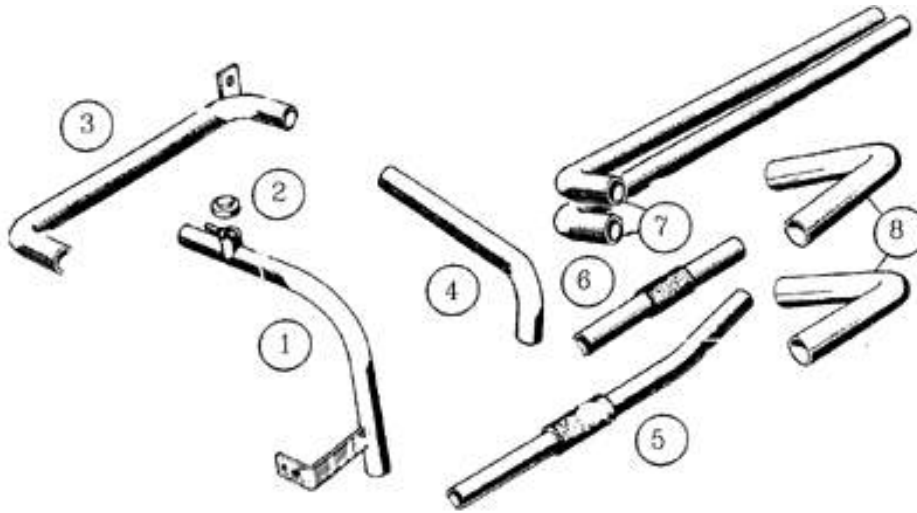


DESCRIPTION	REFERENCE	€uro HT
VERY HIGH PERFORMANCE MODERN FAN Ø15cm weight 500g	MP0935	99.52 €
Fan pin fitting kit	MP0935/fix	9.90 €

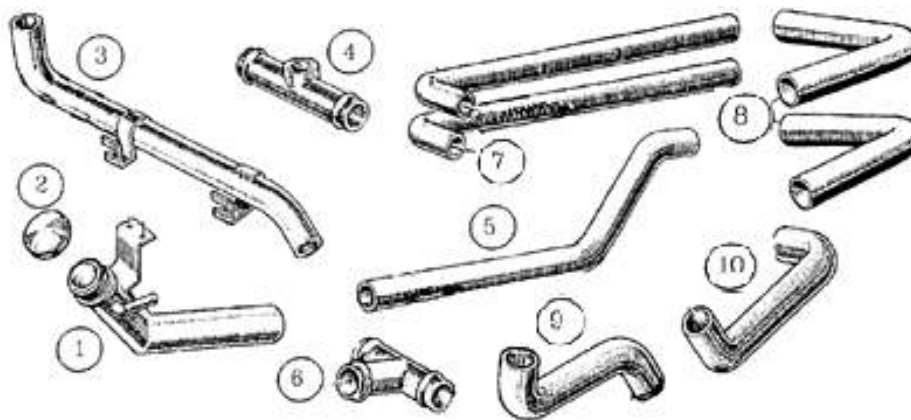
AIR INTAKE SCREEN



DESCRIPTION	REFERENCE	€uro HT
Lower air intake screen (painting black epoxy)	MP4328	81.39 €
Grid entered of air superior made of steel (600 x 220 mm) groups 4	MP4365	30.45 €

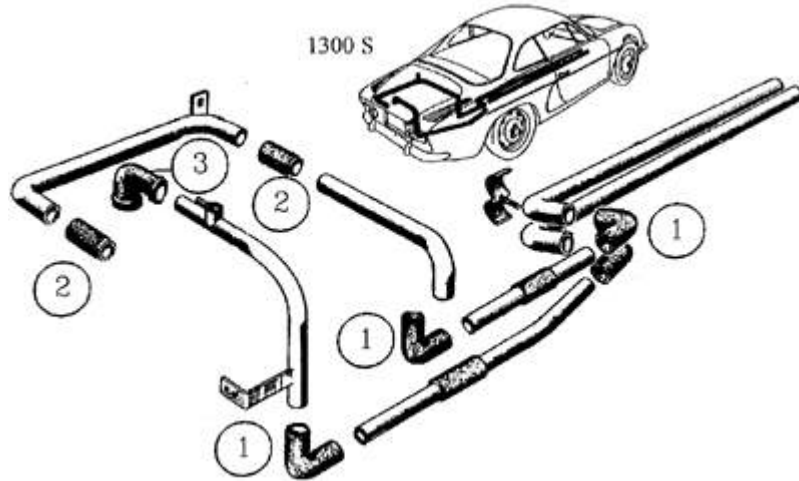
ALUMINIUM TUBES A110 1300


DESCRIPTION	REFERENCE	€uro HT
rep (1) : Filling tube + filler cap	MP0912	143.90 €
rep (2) : Filler cap	MP0920	42.16 €
rep (3) : Linking U-tube	MP0913	54.95 €
rep (4) : Linking L-tube	MP0914	43.80 €
rep (5) : Long straight linking tube	MP0915	49.18 €
rep (6) : Short straight linking tube	MP0916	48.01 €
rep (7) : Linking tube in beam (unit)	MP0917	67.00 €
rep (8) : front radiator elbow 90°	MP0918	41.80 €

ALUMINIUM TUBES A110 1600


DESCRIPTION	REFERENCE	€uro HT
rep (1) : Filling tube	MP0919	97.90 €
rep (2) : Filler cap	MP0920	42.16 €
rep (3) : Linking tube	MP0921	52.70 €
rep (4) : Linking T-tube	MP0922	65.50 €
rep (5) : Linking S-tube	MP0923	53.87 €
rep (6) : T-coupling	MP0924	58.55 €
rep (9) : Linking S-tube	MP0925	53.87 €
rep (10) : Tube	MP0926	52.70 €
rep (7) : Linking tube in beam (unit)	MP0917	67.00 €
rep (8) : front radiator elbow 90°	MP0918	41.80 €

FLEXIBLE HOSES AND ELBOWS 1300 S



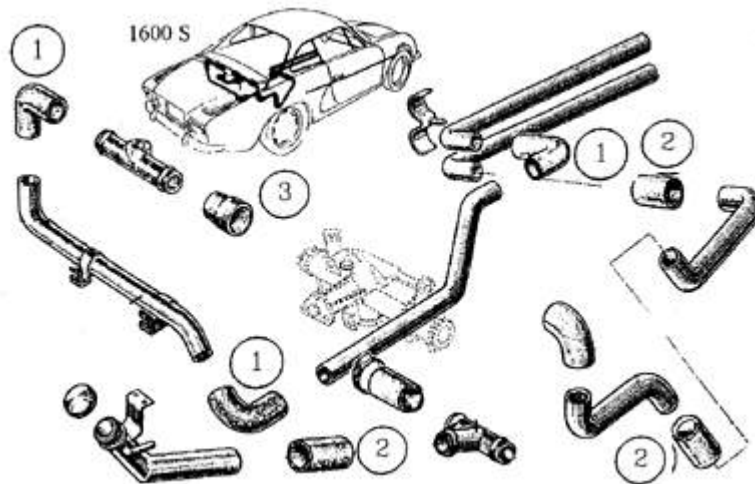
RUBBER HOSES

DESCRIPTION	REFERENCE	€uro HT
rep (1) : Elbow 90°	MP0936	19.32 €
rep (2) : Straight hose	MP0937	9.69 €
rep (3) : DBent hose 90° for water pump outlet	MP0939	35.48 €

BLACK SILICONE HOSES

DESCRIPTION	REFERENCE	€uro HT
rep (1) : Elbow silicone 90° Ø35 x 120 x 120 mm	MP0942	21.29 €
rep (2) : Straight hose Ø35 x 1méter	MP0944	33.86 €
rep (3) : Bent hose 90° silicone black for water pump outlet 45 X 35 X 110 X 170 mm	MP0945	35.48 €

FLEXIBLE HOSES AND ELBOWS 1600 S

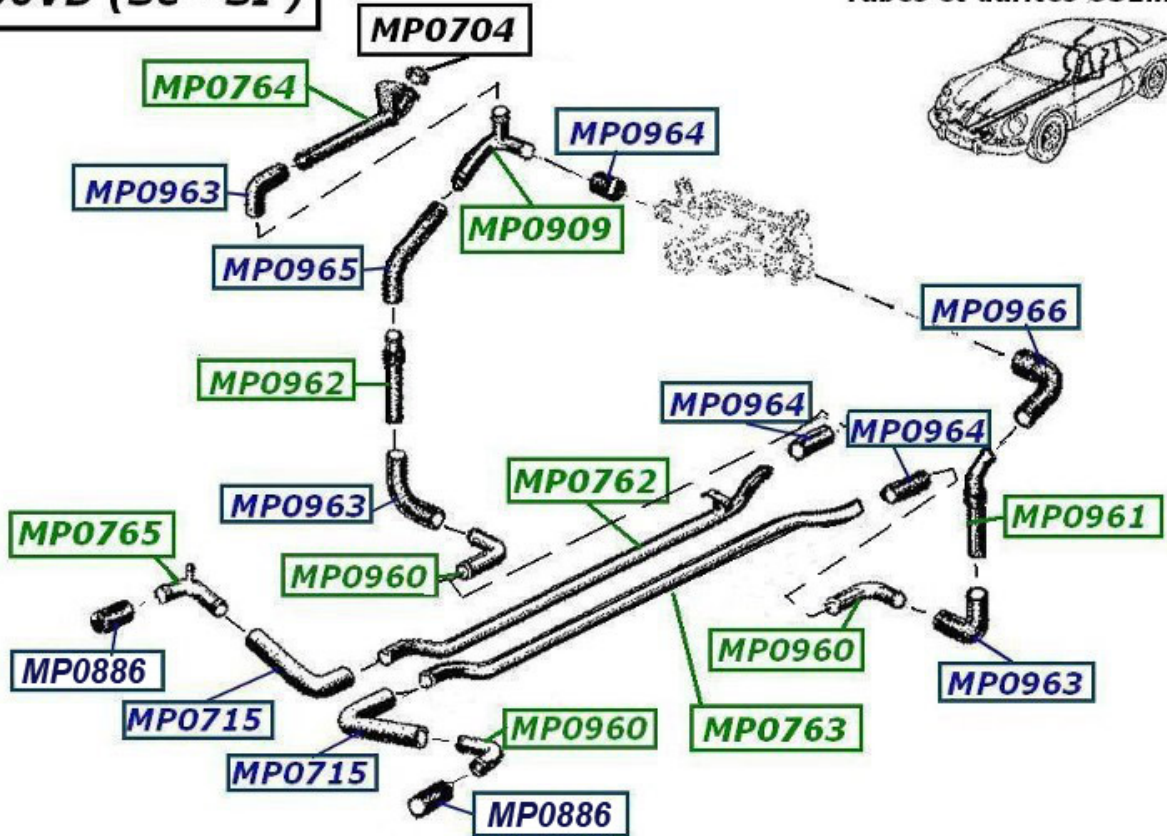


BLACK SILICONE HOSES

DESCRIPTION	REFERENCE	€uro HT
rep (1) : Elbow silicone 90° Ø35 x 120 x 120 mm	MP0942	21.29 €
rep (3) : Réducing silicone black Ø45xØ35 Lg 150mm	MP0943	21.64 €
rep (2) : Straight hose Ø35 x 1méter	MP0944	33.86 €

1600VD (SC - SI)

Tubes et durites Ø32mm

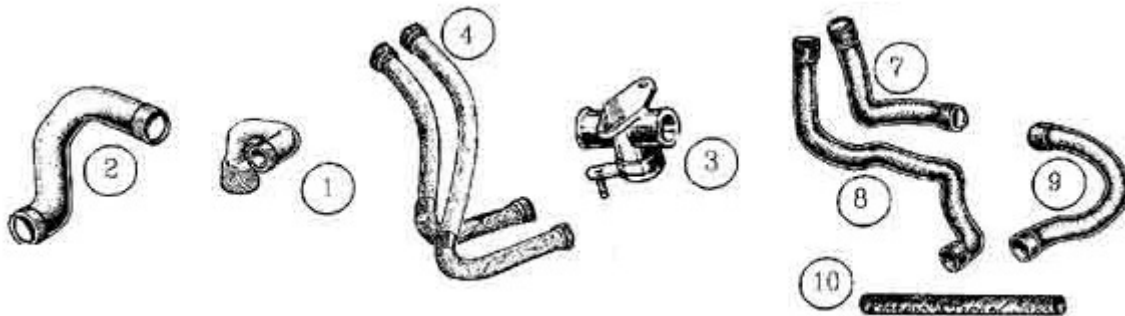


DESCRIPTION		REFERENCE	€uro HT
A110	Radiator cap	MP0704	5.27 €
Hose to water pump		MP0715	33.97 €
Tube of water right (painting epoxy) (in the beam)		MP0762	86.00 €
Tube of water right (painting epoxy) (in the beam)		MP0763	86.00 €
Filling Tube for SC with plug		MP0764	89.00 €
Tube of water has 90°		MP0765	68.85 €
Tube of water made of aluminum (elbow has 90° with departure) Ø32mm		MP0909	69.95 €
Alloy water tube for 1600 SX		MP0909SX	66.30 €
steel linking tube elbow 90°		MP0960	59.75 €
steel linking tube		MP0961	69.50 €
steel brass linking tube		MP0962	22.39 €
HOSE Ø 35MM TO 32 FOR RADIATOR 1600 SC/SX		MP0886	10.33 €
Black silicone hose elbow 90° Ø32mm longt 120 mm x120mm		MP0963	17.23 €
Straight black silicone hose Ø32mm lg 1m		MP0964	28.71 €
black silicone hose Ø32mm elbow 45° long 150mm x 150mm		MP0965	20.67 €
Black silicone hose Ø32-45mm lg100-160mm		MP0966	22.96 €

THERMOSTATS

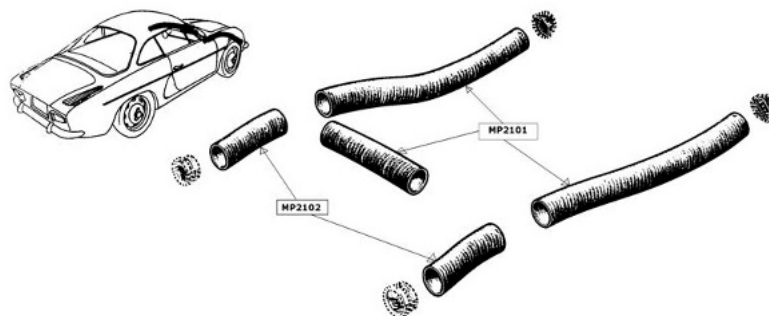
	TYPE	DESCRIPTION	REFERENCE	€uro HT
	A110	Calorstat 75°	MP0702	16.98 €
	A110	Calorstat 83°	MP0707	19.32 €

VALVES AND FLEXIBLE HOSES



TYPE	DESCRIPTION	REFERENCE	€uro HT
1er montage	rep (1) : Radiator upper hose, Ø 1st fitting up Ø 42mm and Ø 23mm	MP0468	12.28 €
A110	rep (1) : Radiator upper hose , 2nd fitting up, Ø42mm and Ø33mm	MP0414	12.98 €
A110	rep (2) : Radiator lower hose, 2nd fitting up Ø34	MP0415	12.63 €
A 110 1100 et 1300	rep (4) : Set of 2 hoses water pump outlet to heating, lg 75cm	MP0430	29.85 €
A 110 1100 - 1300 - V85	rep (10) : Straight hose radiator outlet to expansion tank length 29cm	MP0475	4.68 €
A110	rep (3) : Heating valve	MP0431	51.91 €
A110	rep (7) : Hose from water outlet to water pump	MP0472	9.75 €
A110	rep (8) : Hose from valve intake to heating radiator	MP0473	10.98 €
A110	rep (9) : Intake hose to heating radiator	MP0474	9.99 €

AIR HOSES



TYPE	DESCRIPTION	REFERENCE	€uro HT
tous	Hose flexible for the heating (diam.60mm length 3M) out of stock	MP2101	0 €
TOUS	Hose flexible for the heating (diam.80mm 0.50M length) out of stock	MP2102	0 €