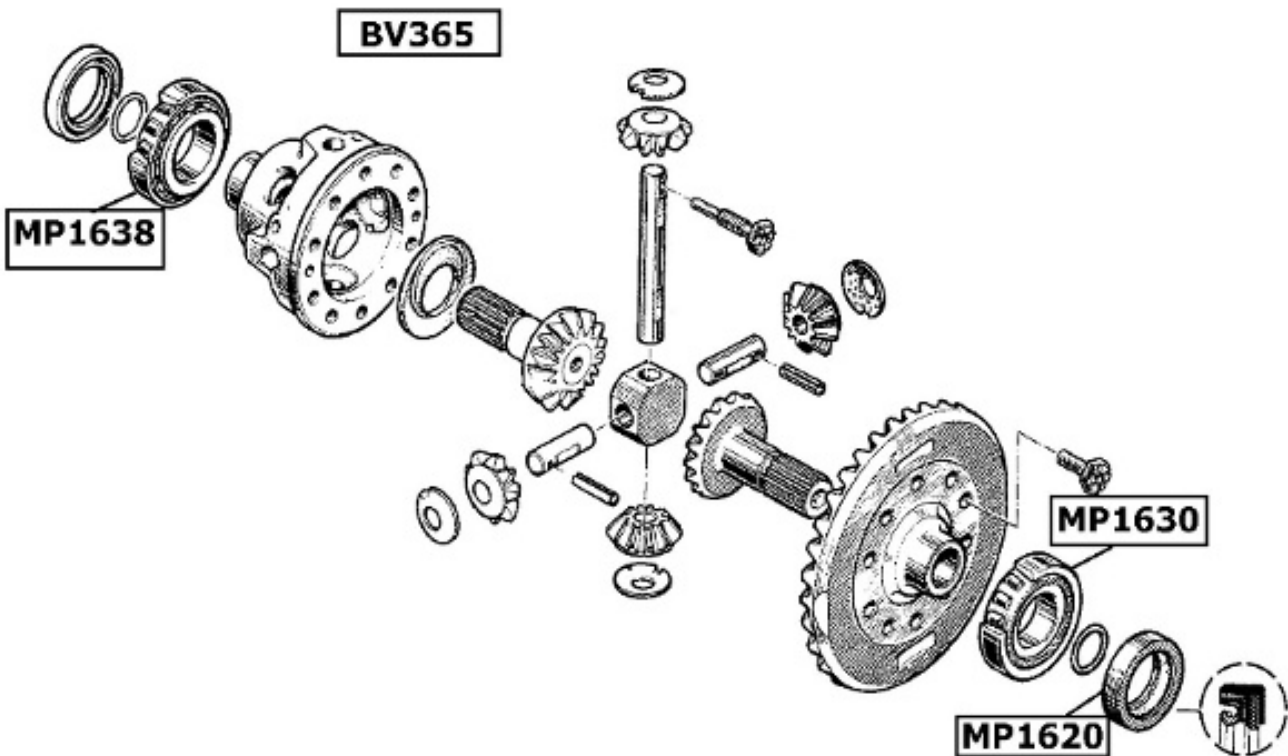
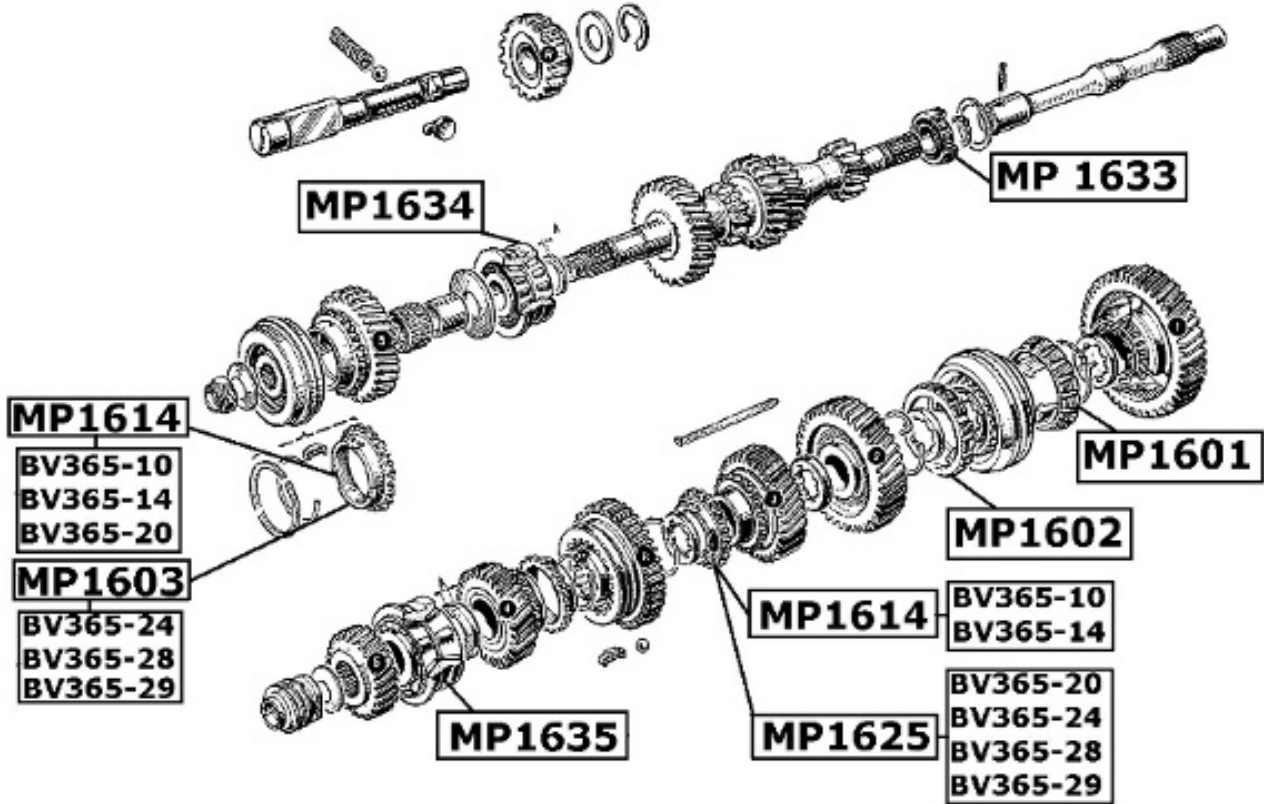




BV 365-10 BV 365-28
BV 365-14 BV 365-29
BV 365-20 BV 365-24

A310/4



To identify your speed-box
A310 / 6 2700VA chassis n° 1 à 45536 => BV 367/05 et 367/11
A310 / 6 2700VA chassis n° 45537 à 47708 => BV 369/02
A310 / 6 2700VA chassis n° 47709 à 48863 => BV 369/07
A310 / 6 2700VA chassis n° 48864 à fds => BV 369/10

BEARINGS A310/4

| DESCRIPTION | REFERENCE | €uro HT |
|---|-----------|----------|
| differential bearing (35 x 72 x 18.5 mm) | MP1630 | 37.40 € |
| Roller bearing (25x52x35) Renault 7700535933 / 7703090032 / 0857669000 | MP1634 | 119.95 € |
| Roller bearing (25x67x40.5) Réf .Renault 7703090181 / 7700502115 / 0852957000 | MP1635 | 99.80 € |
| Differential Bearing (37 x 72 x 18.25) | MP1638 | 56.90 € |

BEARINGS A310/6

| DESCRIPTION | REFERENCE | €uro HT |
|--|-----------|----------|
| Bearing for 4th gear in GB UN and 369. | MP1658 | 54.95 € |
| BEARING FOR FINAL DRIVE GEARBOX 369/UN | MP1672 | 189.00 € |

SYNCHRO RINGS



A310 / 4 - BV 365/10 - BV 365/14

| DESCRIPTION | REFERENCE | €uro HT |
|---|-----------|---------|
| Synchro ring 1st part Renault 04284006100 | MP1601 | 22.96 € |
| Synchro ring 2nd part Renault 0428406300 | MP1602 | 22.96 € |
| Synchro ring 3rd or 4th or 5th | MP1614 | 46.85 € |

A310 / 4 - BV 365/24 - BV 365/28 - BV 365/29

| | | |
|---|--------|---------|
| Synchro ring 1st part Renault 04284006100 | MP1601 | 22.96 € |
| Synchro ring 2nd part Renault 0428406300 | MP1602 | 22.96 € |
| Synchro ring 3rd or 4th or 5th | MP1625 | 46.85 € |

A310 / 4 - BV 365/20

| | | |
|---|--------|---------|
| Synchro ring 1st part Renault 04284006100 | MP1601 | 22.96 € |
| Synchro ring 2nd part Renault 0428406300 | MP1602 | 22.96 € |
| Synchro ring 3rd or 4th or 5th | MP1625 | 46.85 € |
| Synchro ring 3rd or 4th or 5th | MP1614 | 46.85 € |

A310 / - BV 5 vitesses 369/02 - BV 369/04 - BV 369/07

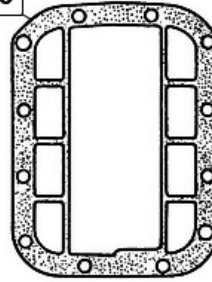
| | | |
|--|--------|---------|
| Synchro ring 3rd or 4th or 5th (Renault 77 00 708 152) | MP1624 | 35.00 € |
|--|--------|---------|

BEVEL GEAR COUPLE

| TYPE | DESCRIPTION | REFERENCE | €uro HT |
|----------|---|-----------|-----------|
| A310 / 4 | Bevel gear couple 9 x 34 Group 3 TYP 365. | MP1628 | 1650.00 € |

GEAR BOX GASKETS

MP1666



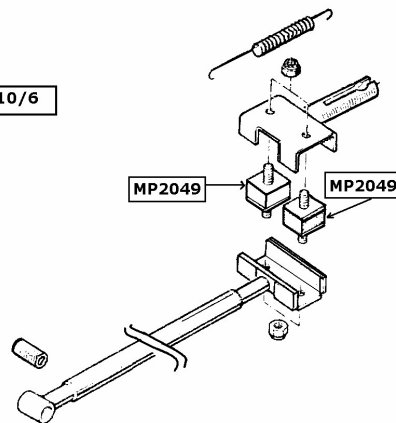
A310 / 4 BV 365

| DESCRIPTION | REFERENCE | €uro HT |
|--|-----------|---------|
| Speed indicator plug gasket (8x16x6.5) | MP1611 | 7.74 € |
| O ring 30.8x38x3.6xmm for tube gear box UN (367/369) | MP1664 | 1.5 € |
| O-ring seal for transmission in gear UN and 369 | MP1660 | 1.29 € |
| Gearshift selector (15x26x7) | MP1612 | 5.41 € |
| Gearbox output gasket (24x36x12) | MP1616 | 8.88 € |
| Gearshift selector (13x26x7) | MP1619 | 4.59 € |
| Paper seal gear box 364, 365 and NG5 | MP1644 | 11.85 € |
| Differential gasket (36 x 54 x11 mm) | MP1620 | 8.85 € |
| rep (1) : gear box command protection | MP1622 | 9.90 € |
| SILENT BLOCK CONTROL GB 365 FOR SC OR 310/4 | MP1673 | 11.80 € |
| Paper seal for GB 365 | MP1676 | 6.9 € |
| Sumps gasket for 5th gear housing GB365 | MP1677 | 7.6 € |

A310 / 6

| | | |
|---|---------|---------|
| Differential Oil seal (42 x 58 x 9 x16) Made in France | MP0610 | 21.80 € |
| Oil seals (replace original model) anti flight (40x58x10 with 2 springs) | MP0610A | 13.80 € |
| Speed indicator plug gasket (8x16x6.5) | MP1611 | 7.74 € |
| O ring 30.8x38x3.6xmm for tube gear box UN (367/369) | MP1664 | 1.5 € |
| CLUTCH HOUSING SEAL FOR 369 GEAR BOX | MP1666 | 15.80 € |
| Sumps gasket for 5th gearbox 369 and UN | MP1667 | 8.95 € |
| oil seal primary shaft (32 x 45 x 10) | MP1669 | 0.00 € |
| oil seal (cage steel) primary shaft (25 x 47/51 x 9/16) | MP1670 | 59.50 € |

A310/6



| | | |
|--|--------|--------|
| Silent-block (the 2) for speed-box handle | MP2049 | 5.15 € |
|--|--------|--------|