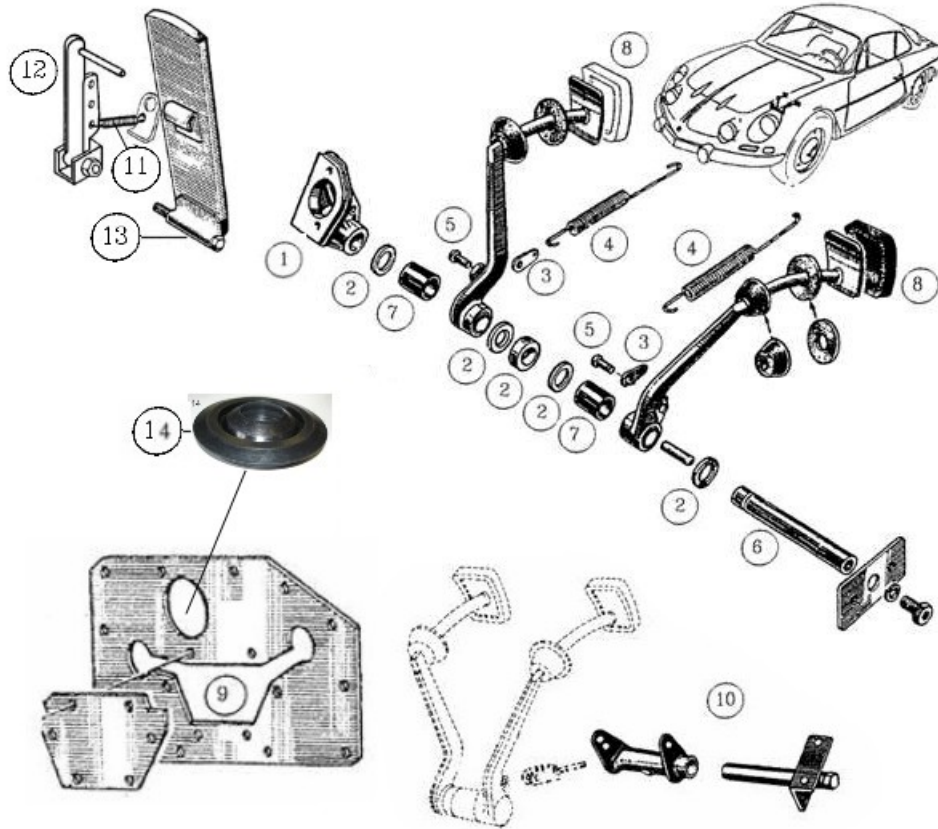


PEDALE SYSTEM FOR DJET / R8 / A110






| DESCRIPTION | REFERENCE | €uro HT |
|--|-----------|---------|
| rep (1) : Alloy master-cylinder braket A110 (all models except SC, SI and SX (see R8 catalog)) | MP4010A | 86.70 € |
| rep (2) : Pedal bracketwashers set (2 de 1,5mm, 2 de 2mm, 1 de 5,8mm) | MP4012 | 27.52 € |
| rep (3) : Pull back spring bracket (les 2) | MP4013 | 7.23 € |
| rep (4) : Pull back springs (the 2) | MP4014 | 19.30 € |
| rep (5) : Fixing axle spring on pedal (the 2) | MP4015 | 2.90 € |
| rep (6) : Pedal axle A110 Ø16 length85mm | MP4016 | 25.45 € |
| rep (7) : Wear rings for pedal (the 2) | MP4017 | 20.48 € |
| CLUTCH PEDAL TRANSMISSION ARM | MP4033 | 24.00 € |
| rep (8) : Pedal covers (the 2) | MP4008 | 7.84 € |
| rep (9) : Pedals subway stainless steel | MP4007 | 86.07 € |
| rep (14) : Rubber of the steering hole through the pedals subway | MP4023 | 5.56 € |
| rep (11) : Accelerator pedal pull-back spring | MP1024 | 2.78 € |
| rep (12) : Accelerator lever | MP1025 | 40.90 € |
| Accelerator pedal | MP1033 | 98.00 € |
| PEDALE OF CLUTCH A110 1300 / 1600 | | |
| rep (10) : Rudder pedals (adjustabel cable fixing) | MP4018 | 93.90 € |


DRIVING WHEELS




| DESCRIPTION | REFERENCE | €uro HT |
|--|-----------|----------|
| Driving wheel MOMO PROTOTIPO Ø35mm right handles, black leather, white seam | MP4019 | 167.00 € |
| Driving wheel MOMO PROTOTIPO Ø 35mm black branch, black leather and white sewing | MP4019N | 167.00 € |
| Steering wheel refurbishment (paint and leather hand made) | MP4030 | 190.00 € |

| TYPE | DESCRIPTION | REFERENCE | €uro HT |
|---|--|-----------|----------|
|  | Hub for Prototipo driving wheel (Ø hole 20mm and 37 grooves) | MP4020 | 114.75 € |
|  | Gear knob A110 and A310/4 | MP4009 | 39.90 € |
|  | Center of steering wheel prototipo Ø fitting 49.50mm with ALPINE emblem (for MP4020) | MP4021 | 32.78 € |

TANK ATTACHING FLANGE

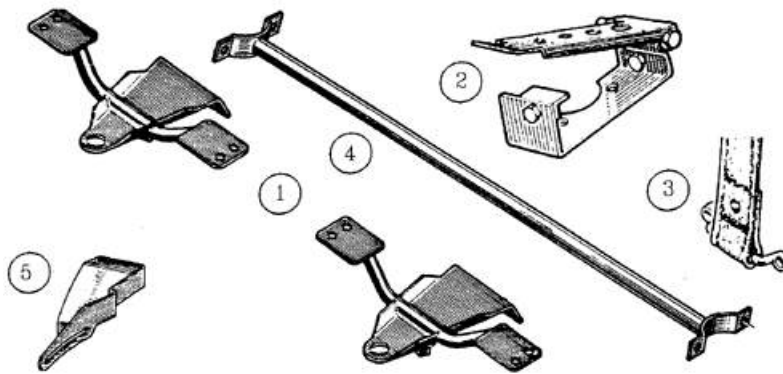
| TYPE | DESCRIPTION | REFERENCE | €uro HT |
|---|--|-----------|---------|
|  | Super smooth stainless steel front tank attaching flanges (sold by pair) | MP4006 | 97.92 € |

BONNET FASTENER

| TYPE | DESCRIPTION | REFERENCE | €uro HT |
|--|---|-----------|---------|
|  | factory competition type original bonnet fastener | MP4107 | 16.64 € |

| | | |
|---|----------|---------|
| complete kit bonnet fastener factory cars | MP4107CP | 21.90 € |
|---|----------|---------|

MISCELLANEOUS FITTINGS



| DESCRIPTION | REFERENCE | €uro HT |
|--|-----------|----------|
| rep (1) : Complet set group 4 for headlights | MP4101 | 111.24 € |
| rep (2) : Rear motion lock | MP4104 | 32.78 € |
| rep (3) : Chromated hanger for strip | MP4105 | 7.99 € |
| rep (4) : Anti-closure bar | MP4106 | 67.54 € |
| rep (5) : Alternator bracket | MP4102 | 67.91 € |
| HANDLE JACK 19 MM | MP4378 | 9.95 € |



| DESCRIPTION | REFERENCE | €uro HT |
|--|-----------|---------|
| Plaque de tableau de bord en inox avec dessin fait dans la masse | MP4022 | 55.80 € |
| Glove box (group 4 model works) | MP5114 | 90.78 € |
| Glove box on central tunnel | MP5115 | 96.90 € |